



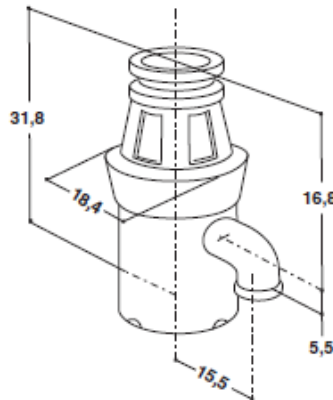
GARBAGE DISPOSAL



Model AMB783

Features:

- 220-240 Volt /50 Hertz
- 0.65 HP **DURA-DRIVE™** Heavy Duty Induction Motor (450 W)
- Continuous-Feed Operation
- Standard Quiet System:
 - Single Sound Baffle
 - Shell Protection
 - Standard Insulation (EPS)
- Stainless Steel Shredder Ring
- Galvanized Steel Rotating Shredder
- Stamped Stainless Steel 360° Swivel Lugs
- Engineered Resin Grind Chamber Won't Corrode
- 980ml Grind Chamber
- QUICK-LOCK™** Mounting Assembly for Faster, Easier Installation
- Plastic Sink Stopper
- Standard Stainless Steel Sink Flange
- Jam Buster Wrench included
- Overload Protection
- Permanently Lubricated Bearings



Model AMB783

Dimensions:

Net (cm): See diagram

Net Weight: 7 ¾ kg/17.05 lbs

Gross Weight: 8.16 kg/18 lbs



A Job Well Done™

Distributed by Piraeus International, Inc