



## SIDEKICKS - FREEZER

### Model 5VEV188NAS

#### Features:

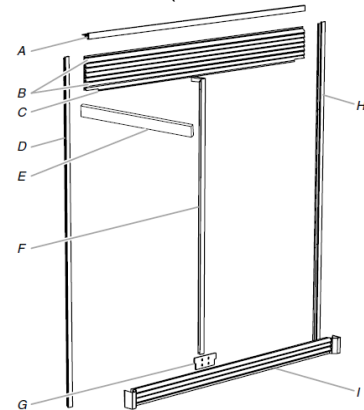
- 18 Cu.Ft Capacity Upright Freezer
- Stainless Steel Finish
- Flat Smooth Door with Brushed Aluminum Handle
- Left Swing Door
- R134a Refrigerant
- Automatic Defrost System
- Up-Front Temperature Controls
- Multi-Air Baffle Port with better air flow for more uniform cooling and freezing
- Four Height-Adjustable **SPILL GUARD™** Glass Shelves
- 6 Adjustable Door Bins
- 1 Gallon Door Storage Shelf
- Freezer Light
- 2 Front Adjustable Legs, 2 Rollers (back)
- Fast Freeze Option (Igloo icon)
- Two Slide-Out Wire Baskets
- CE Approved/ UL
- Climate Class T
- Energy Efficiency Class Rating 2015
- Optional Automatic Ice Maker Kit (W10190943)
- Matching All-Refrigerator 5VEL88TRAS
- Optional Trim Kit **SKT60S** (includes A to I) or Finishing Kit **SKFK60S** (includes E, F, G & I)



### Model 5VEV188NAS

#### Specifications:

Net (inches): H 66.6 x W 30 x D 31 (28 ½ w/o handle)  
Net (cm): H 169 x W 76.2 x D 78.7  
Carton (inches): H 69 3/8 x W 32 ¼ x D 30 ¼  
Voltage: 220-240 Volt ~50/60 Hertz  
Gross Weight: 92.5 kg/ 204 lbs



A Job Well Done™

Distributed by Piraeus International, Inc